

NICHIHA EX SERIES 3030 PANEL

HORIZONTAL INSTALLATION MANUAL

【Construction】 Steel Structure

【 Substrate 】 Vertical Metal Framework

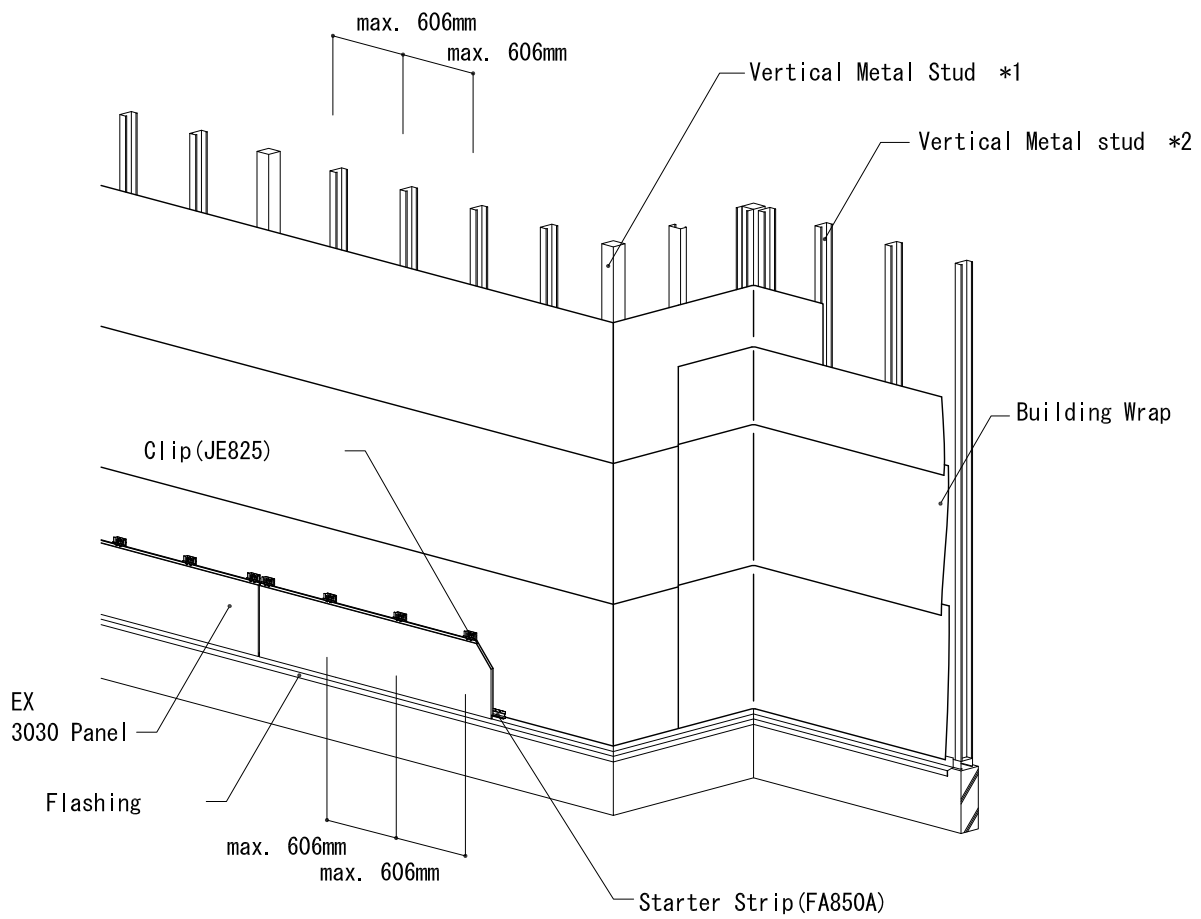
Overview	
Main Member	
Base	
Horizontal Junction	
Vertical Junction	
Internal Corner	
External Corner	Pre-formed Corner
Opennings	Top Bottom Sides
Soffit	Eaves Trim Sealant
Overhang	Overhang Flashing

NICHIHA EX SERIES

(3030 Panel)

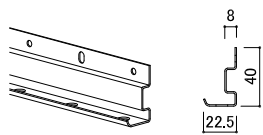
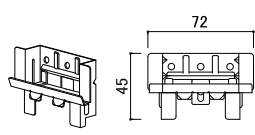
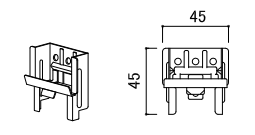
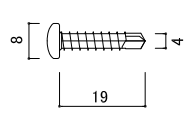
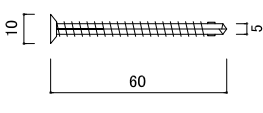
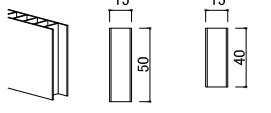
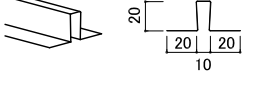
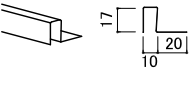
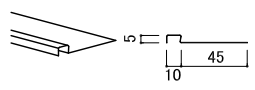
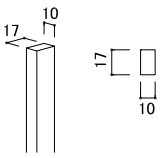
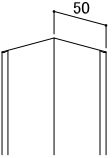
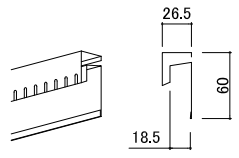
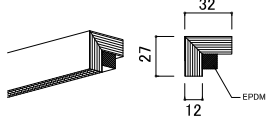
Substrate	Furring Strip	Panel Installation Direction	How to fix
Metal framework	Vertical	Horizontal	Clip (JE825)

Overview



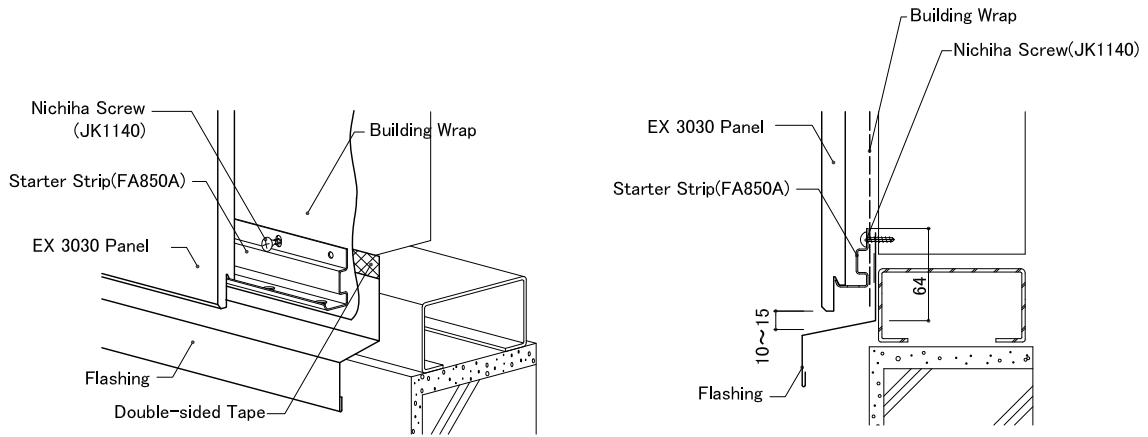
- * 1 : t = 1.6~2.3mm 、 W ≥ 80mm
- * 2 : t = 1.6~2.3mm 、 W ≥ 40mm

NICHHA EX SERIES (3030 feet panel)	Substrate	Furring Strip	Panel Installation Direction	How to fix
	Metal framework	Vertical	Horizontal	Clip (JE825)

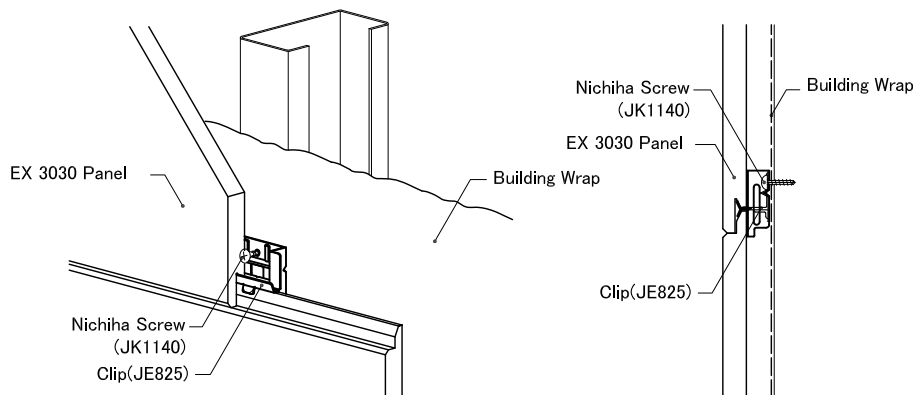
Main Accessories			
<p>■ Starter Strip</p>  <p>【FA850A】 Material : Painted 55%Al-Zn-coated steel sheet Thickness : 1.0mm Length : 3,030mm Fastening : @606mm or less interval Note : fix with Nichiha Screws</p>	<p>■ Clip</p>  <p>【JE825】 Material : Zn-11%Al-3%Mg-0.2%Si-coated steel sheet Note : fix with Nichiha Screws</p>	<p>■ Corner Clip</p>  <p>【JE825C】 Material : Zn-11%Al-3%Mg-0.2%Si-coated steel sheet Note : fix with Nichiha Screws</p>	<p>■ Nichiha Screw (for fixing Starter Strip・Clip)</p>  <p>【JK1140】 Material : Stainless Size : φ4mm × 19mm</p>
<p>■ Nichiha Screw (for face fixing Panel)</p>  <p>【JK1250】 Material : Stainless Size : φ5mm × 60mm</p>	<p>■ Spacer 15</p>  <p>【FS1015】 Length : 1,200mm Material : Polypropylene (Piece Type) 【FSP1015】 Size : 40 × 40 × 15mm Material : Polypropylene</p>	<p>■ Sealant Backer Double flange 20</p>  <p>【FH1020R】 Material : Fluoroplastic Resin Coated 55%Al-Zn-coated steel sheet Thickness : 0.3mm Length : 3,030mm</p>	<p>■ Sealant Backer Single flange 17</p>  <p>【FHK1017R】 Material : Fluoroplastic Resin Coated 55%Al-Zn-coated steel sheet Thickness : 0.3mm Length : 2,000mm</p>
<p>■ Sealant Backer Single flange 05</p>  <p>【FHK1105R】 Material : Fluoroplastic Resin Coated 55%Al-Zn-coated steel sheet Thickness : 0.3mm Length : 2,000mm</p>	<p>■ Backer Rod 17</p>  <p>【FB1017】 Length : 1,000mm Material : Polyethylene foam</p>	<p>■ Corner Backing Angle 50</p>  <p>【JR1900】 Material : 55%Al-Zn-coated steel sheet</p>	<p>■ Eaves Trim 16</p>  <p>【Product number: FTM10□□】 Material : Painted 55%Al-Zn-coated steel sheet Length : 3,030mm</p>
<p>■ L-Form Cavity Vent</p>  <p>【FSK1000】 Material : Polyethylene Length : 1,220mm</p>			

NICHIHA EX SERIES (3030 Panel)	Substrate	Furring Strip	Panel Installation Direction	How to fix
	Metal framework	Vertical	Horizontal	Clip (JE825)

Base



Horizontal Joint



NICHIHA EX SERIES

(3030 Panel)

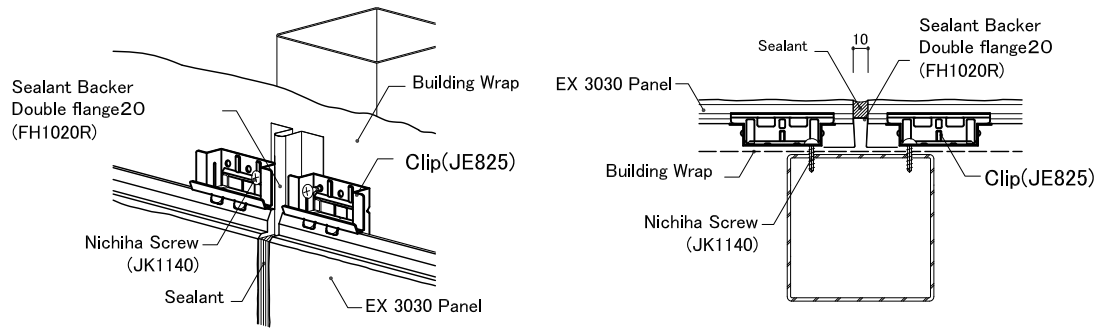
Substrate
Metal framework

Furring Strip
Vertical

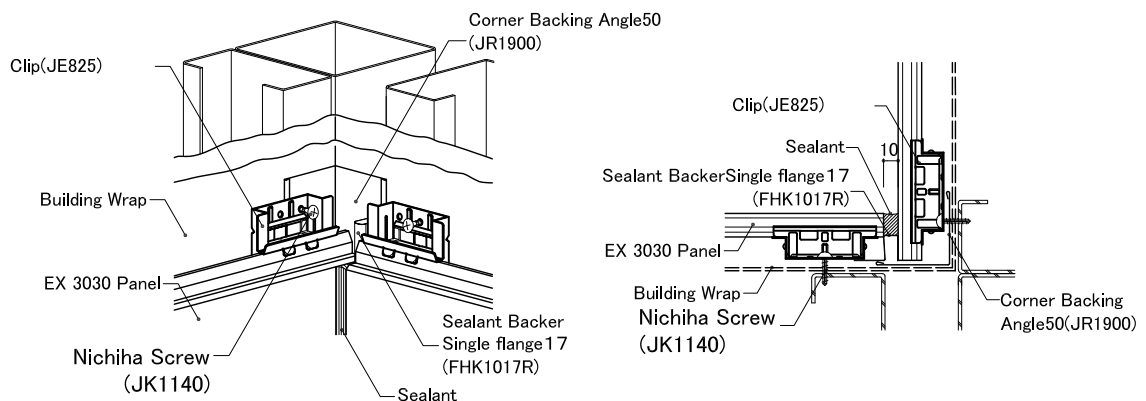
Panel Installation
Direction
Horizontal

How to fix
Clip
(JE825)

Vertical Joint

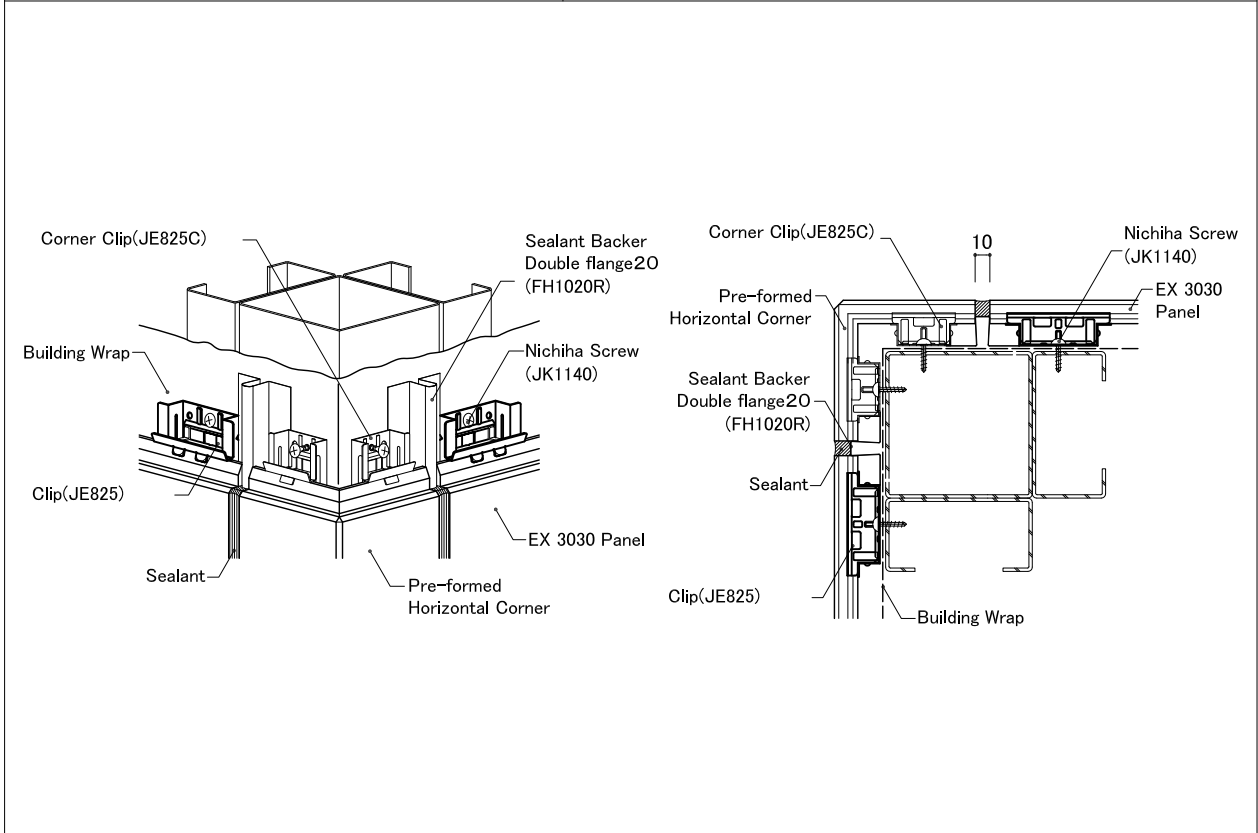


Internal Corner

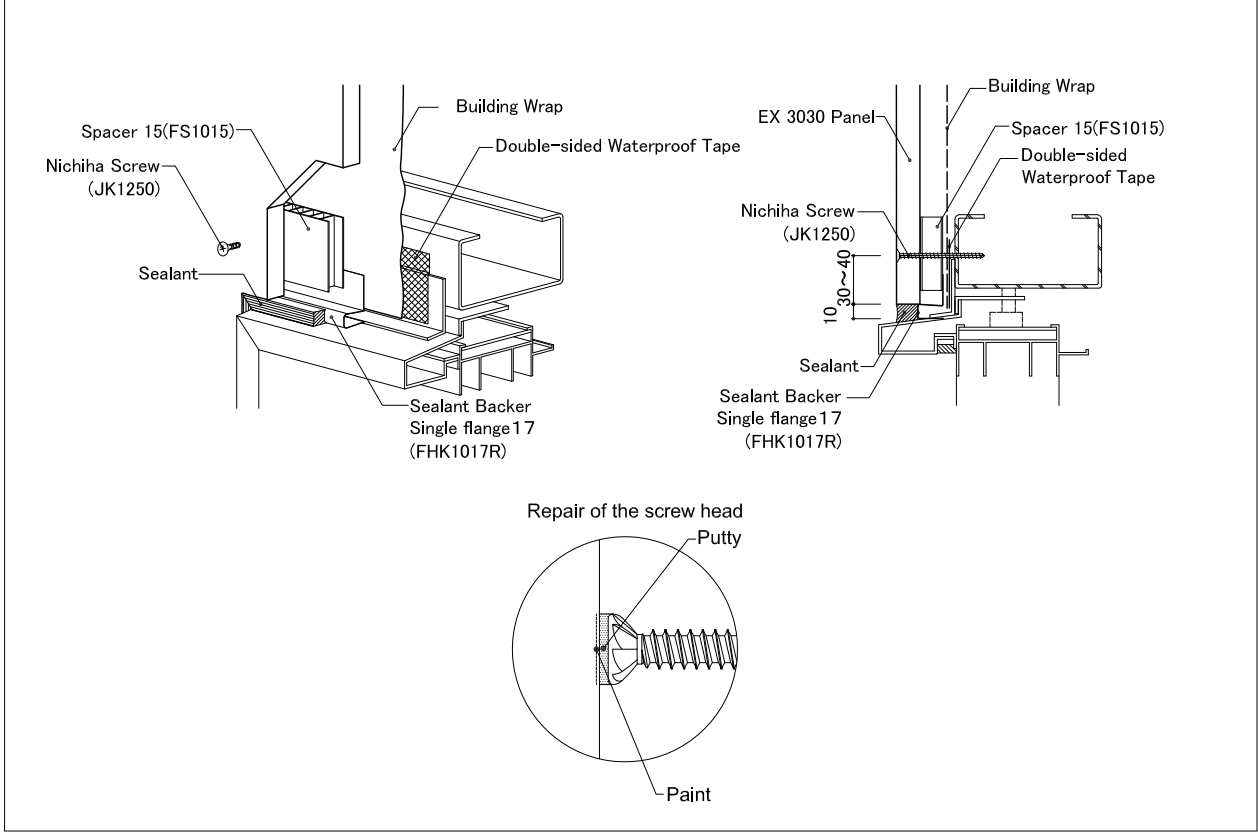


NICHIHA EX SERIES (3030 Panel)	Substrate	Furring Strip	Panel Installation Direction	How to fix
	Metal framework	Vertical	Horizontal	Clip (JE825)

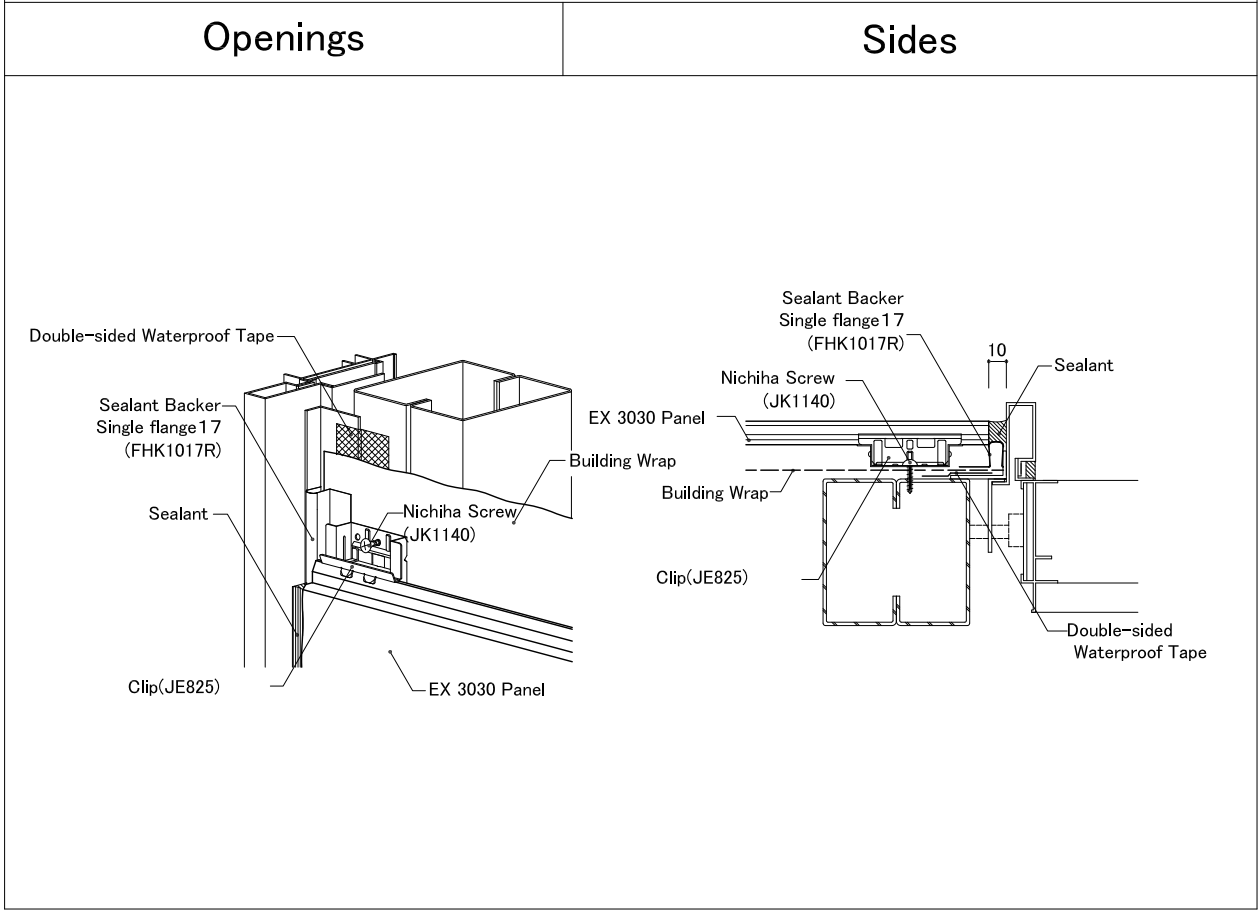
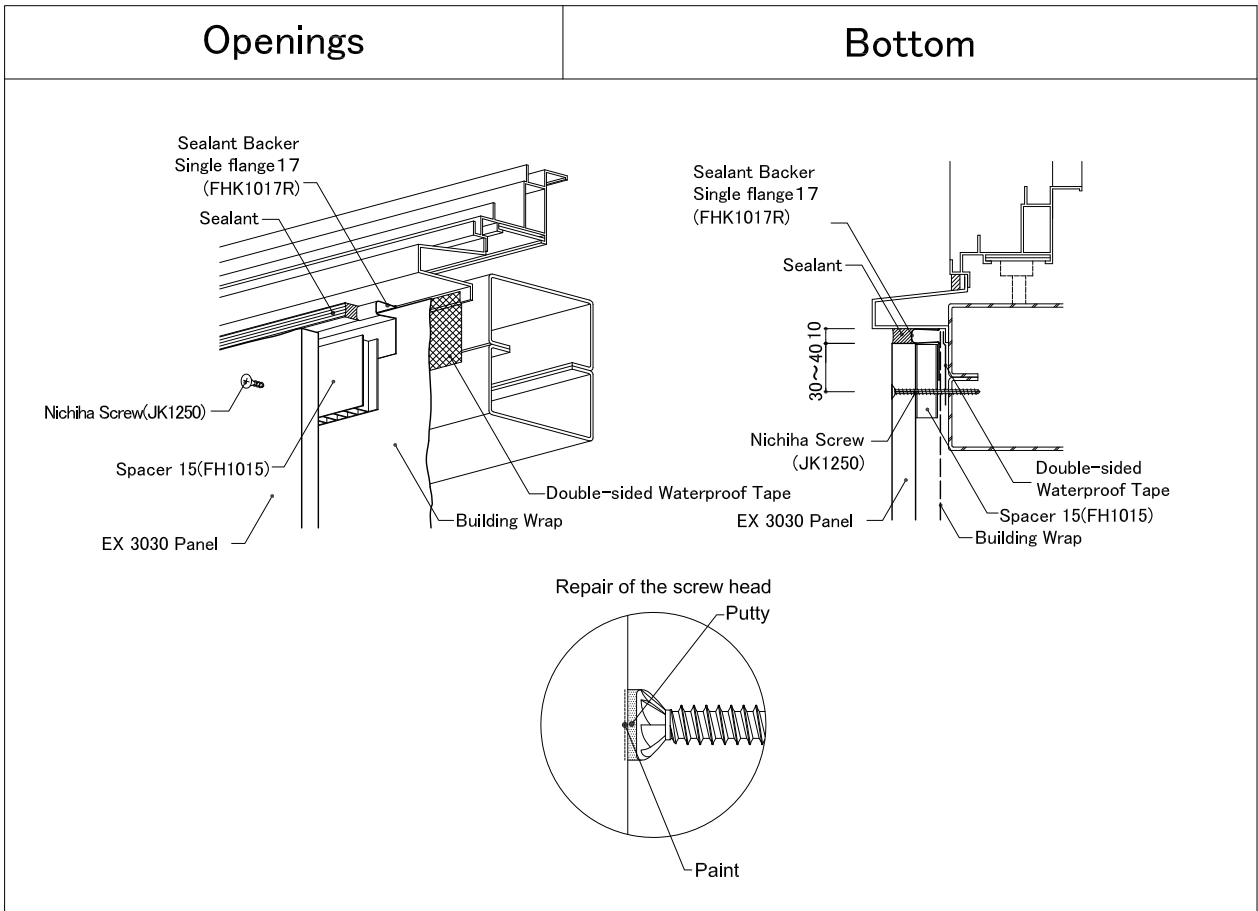
External Corner	Pre-formed Corner
-----------------	-------------------



Openings	Top
----------	-----



NICHIHA EX SERIES (3030 Panel)	Substrate	Furring Strip	Panel Installation Direction	How to fix
	Metal framework	Vertical	Horizontal	Clip (JE825)



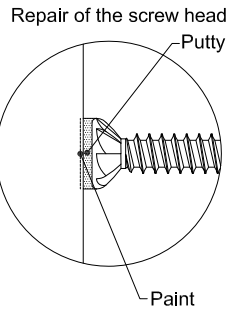
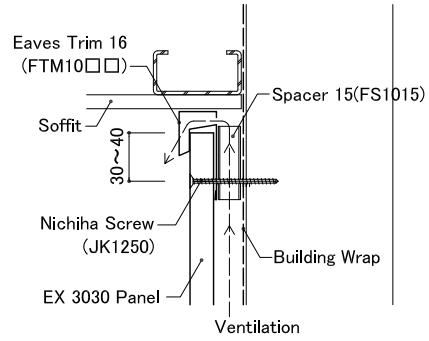
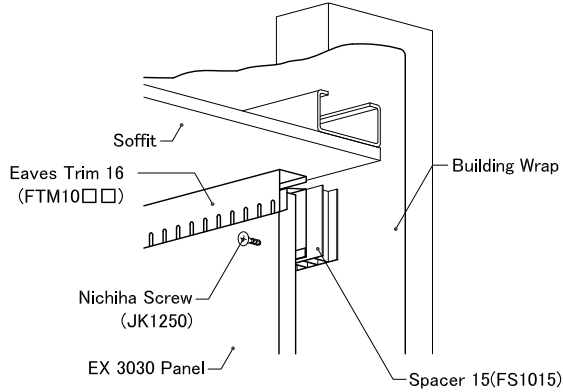
NICHIHA EX SERIES

(3030 Panel)

Substrate	Furring Strip	Panel Installation Direction	How to fix
Metal framework	Vertical	Horizontal	Clip (JE825)

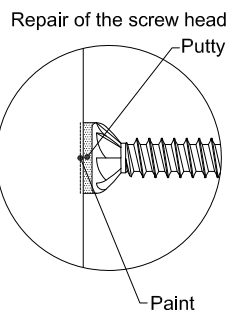
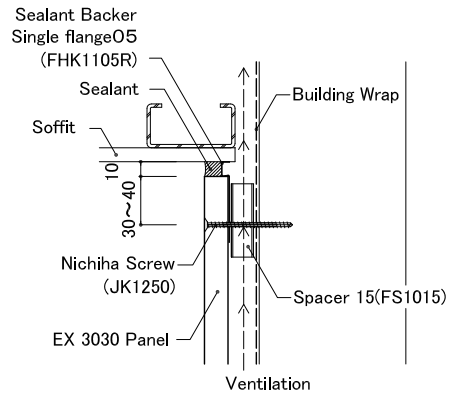
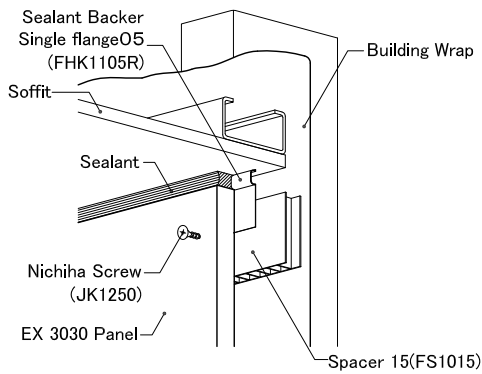
Soffit

Eaves Trim 16



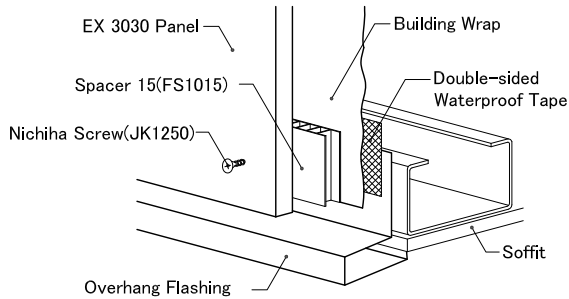
Soffit

Sealant

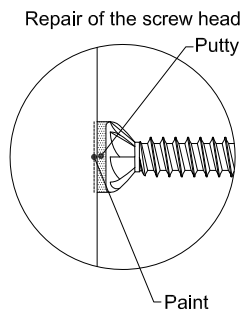
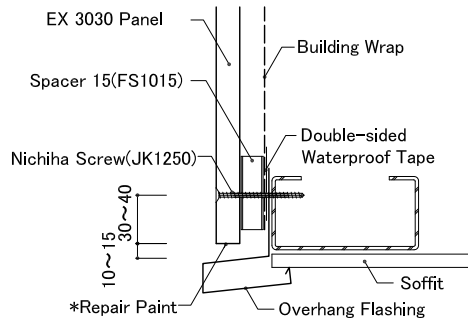


NICHIIHA EX SERIES (3030 Panel)	Substrate	Furring Strip	Panel Installation Direction	How to fix
	Metal framework	Vertical	Horizontal	Clip (JE825)

Overhang



Overhang Flashing



Cut Edge
Repair the cut edge of Nichiha EX. Apply sealer twice or repair coating after the sealer application with the touch-up paint.

Parapet

L-Form Cavity Vent

