

NICHIHA EX SERIES 1818/1820 PANEL (COOL)

HORIZONTAL INSTALLATION MANUAL

【Construction】 Steel Structure

【 Substrate 】 Vertical Metal Framework

Overview	
Main Member	
Base	
Horizontal Joint	Shiplap Joint Flashing
Vertical Joint	
Internal Corner	
External Corner	Pre - formed Corner Metal Corner Trim Obtuse External Corner
Overhang	
Soffit	
Parapet	
Openings	Top Sides Bottom

NICHIHA EX SERIES (1818/1820 Panel - COOL)

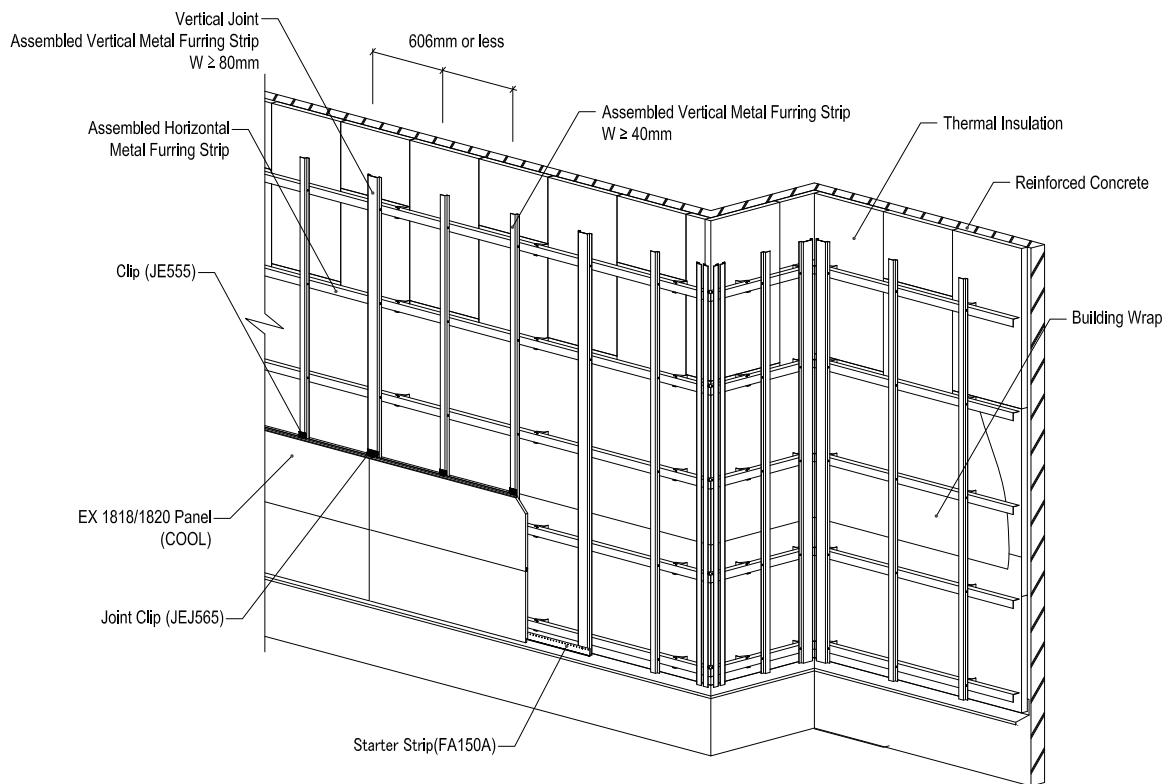
Substrate
Metal Furring Strip

Furring Strip
Vertically

Panel Installation
Direction
Horizontal

How to fix
Clip
(JE555)

Overview



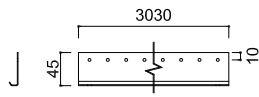
NICHIHA EX SERIES

(1818/1820 Panel - COOL)

Substrate	Furring Strip	Panel Installation Direction	How to fix
Metal Furring Strip	Vertical	Horizontal	Clip (JE555)

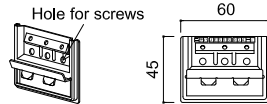
Main Accessories

■ Starter Strip



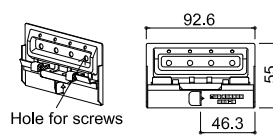
【FA150A】
 Material: Painted 55%Al-Zn-coated steel sheet
 Thickness: 1.0mm
 Length: 3,030mm
 Fastening interval: @606mm or less
 Note: fix with Nichiha Screws

■ Clip



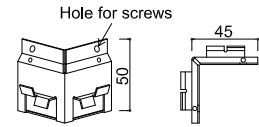
【JE555】
 Material: Zn-11%Al-3%Mg-0.2%Si-coated steel sheet
 Note: fix with Nichiha Screws

■ Joint Clip



【JEJ565】
 Material: Painted Zn-11%Al-3%Mg-0.2%Si-coated steel sheet
 Note: fix with 2 Nichiha Screws

■ L-Form Corner Clip



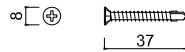
【JE550C】
 Material: Zn-11%Al-3%Mg-0.2%Si-coated steel sheet
 Note: fix with Nichiha Screws

■ Nichiha Screw (for fixing Starter Strip-Clips)



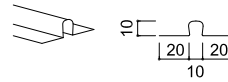
【JK1510】
 Material: Stainless
 Size: φ4.5mm×10mm

■ Nichiha Screw (for face fixing Panel)



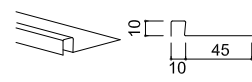
【JK1520】
 Material: Stainless
 Size: φ4.5mm×37mm

■ Sealant Backer Double Flange 10



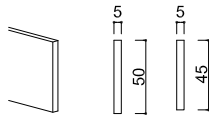
【FH1010R】
 Material: Fluoroplastic resin coated 55%Al-Zn-coated steel sheet
 Thickness: 0.3mm
 Length: 3,030mm

■ Sealant Backer Single Flange 10



【FHK1110R】
 Material: Fluoroplastic resin coated 55%Al-Zn-coated steel sheet
 Thickness: 0.3mm
 Length: 2,000mm

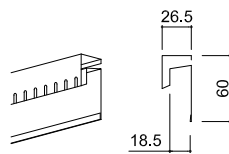
■ Spacer 05



【FS1005】
 Length: 1,200mm
 Material: Polypropylene

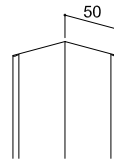
(Piece Type)
【FSP1005】
 Length: 1,000mm
 Materials: Polypropylene

■ Eaves Trim 16



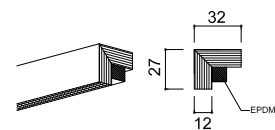
【FTM10□□】
 Material: Painted 55%Al-Zn-coated steel sheet
 Thickness: 0.3mm
 Length: 3,030mm

■ Internal Corner Backing



【JR1900】
 Materials: Painted 55%Al-Zn-coated steel sheet
 Thickness: 0.27mm
 Length: 3,030mm

■ L-Form Cavity Vent



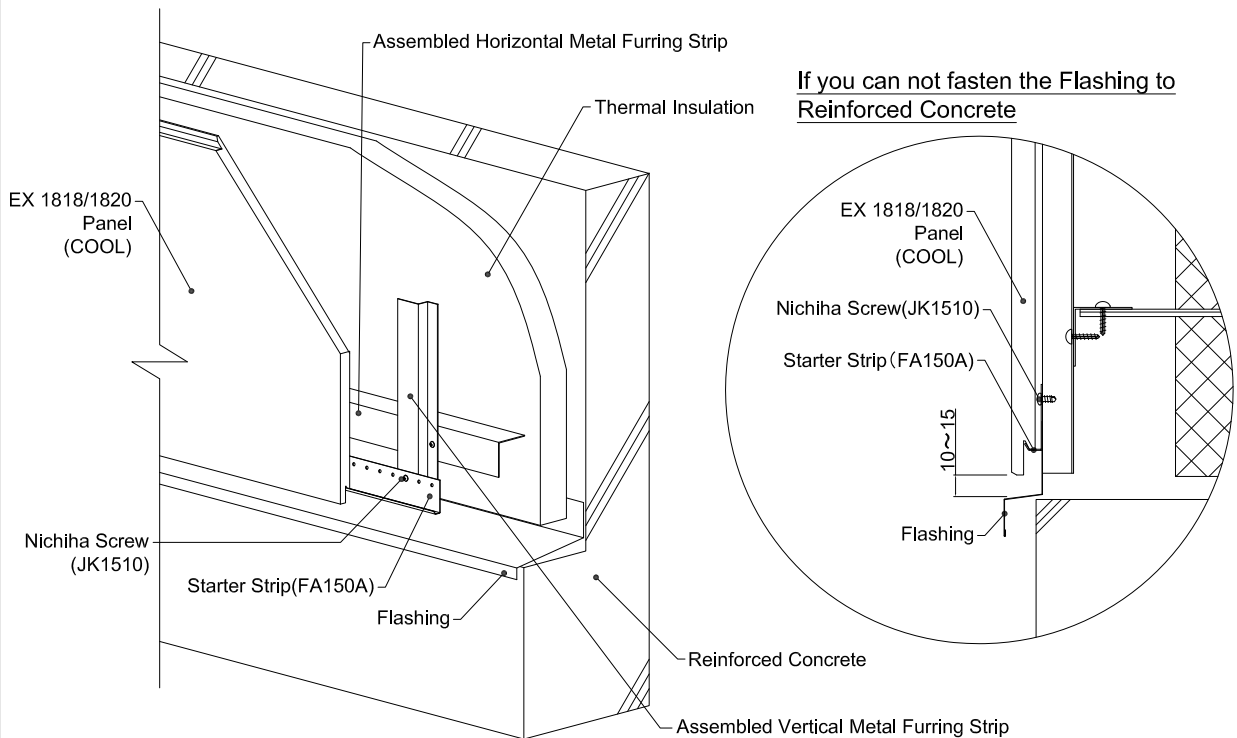
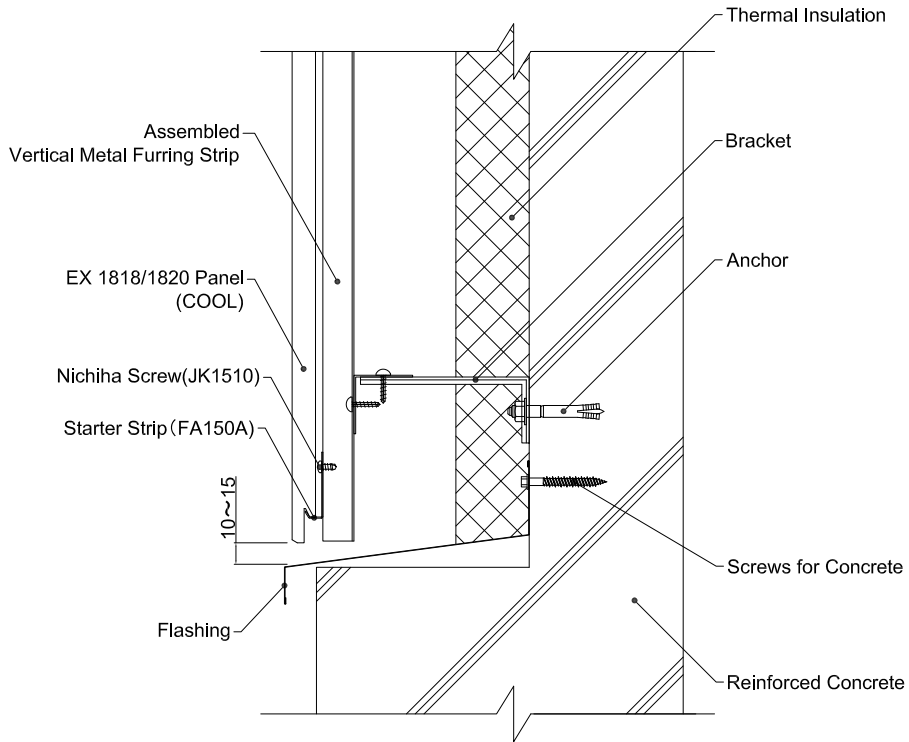
【FSK1000】
 Material: Polyethylene
 Length :1,220mm

NICHIHA EX SERIES

(1818/1820 Panel - COOL)

Substrate	Furring Strip	Panel Installation Direction	How to fix
Metal Furring Strip	Vertical	Horizontal	Clip (JE555)

Base	Flashing , Starter strip
------	--------------------------



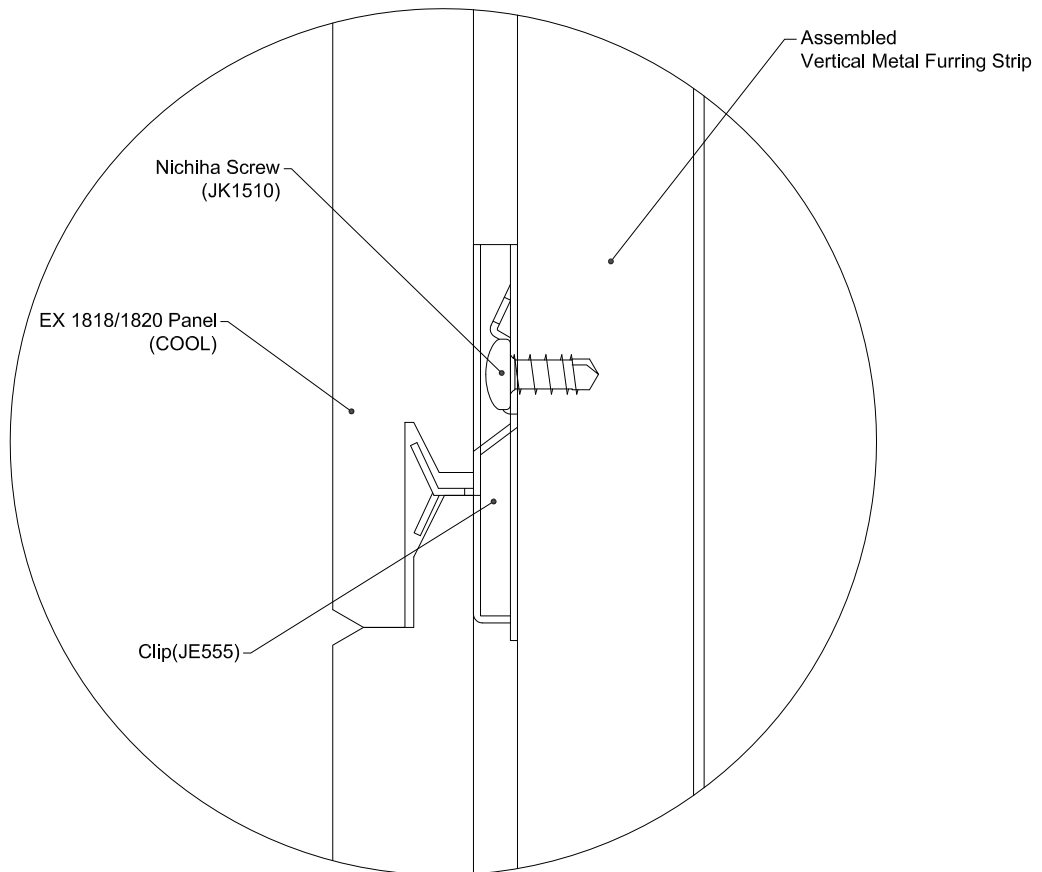
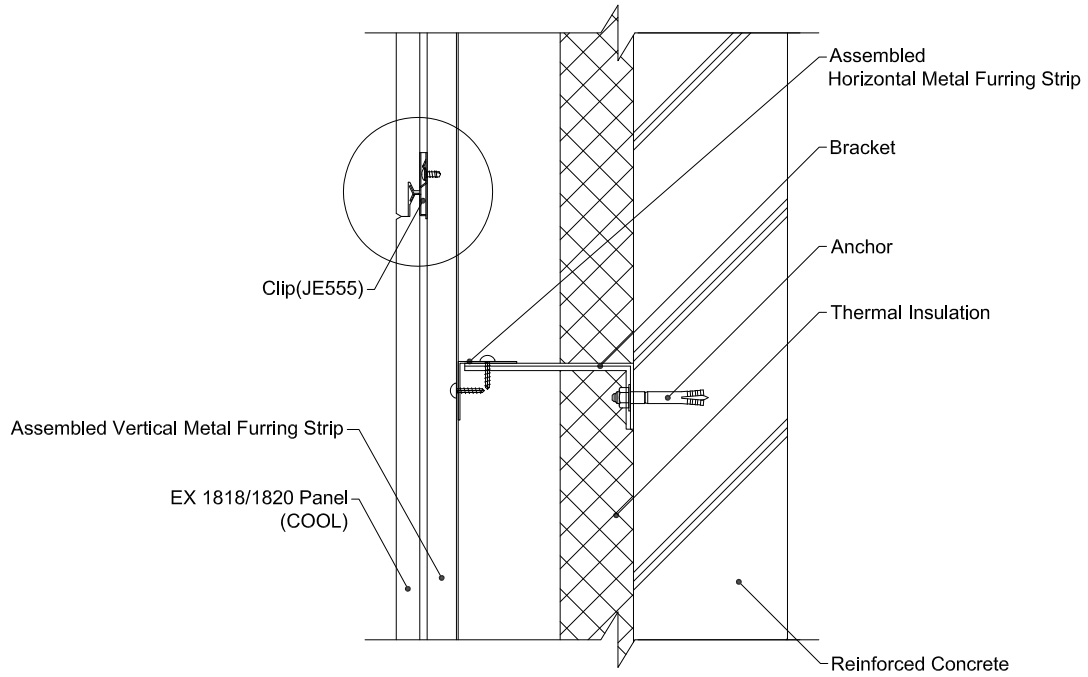
NICHIHA EX SERIES

(1818/1820 Panel - COOL)

Substrate	Furring Strip	Panel Installation Direction	How to fix
		Metal Furring Strip	Vertical

Horizontal Joint

Shiplap Joint



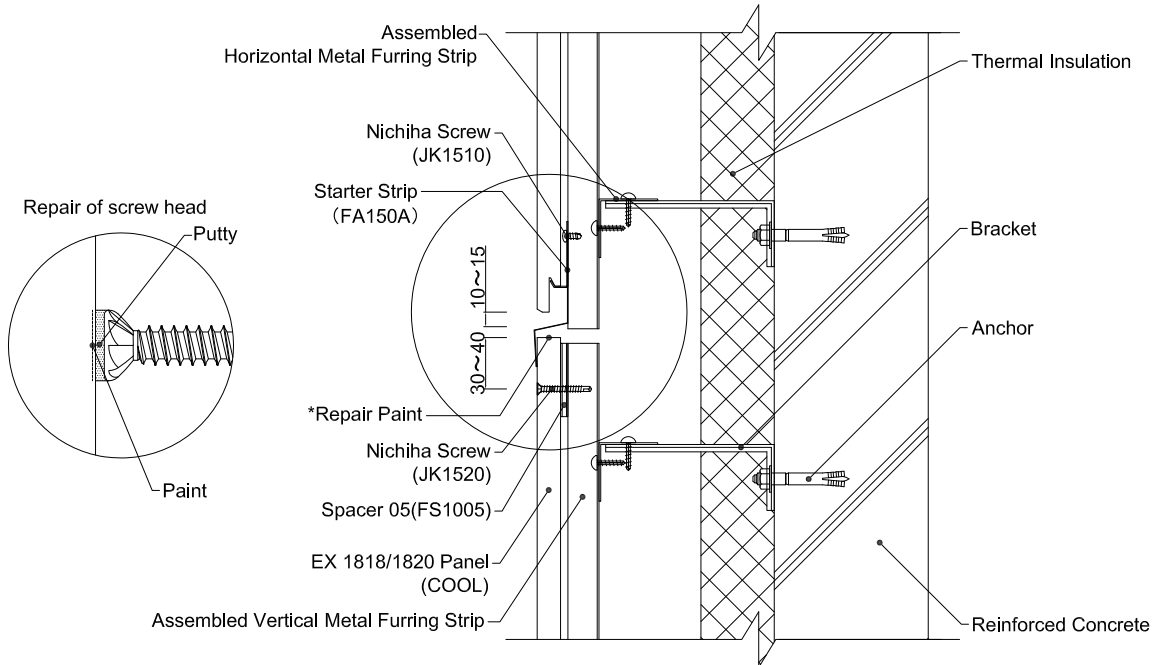
NICHIHA EX SERIES

(1818/1820 Panel - COOL)

Substrate	Furring Strip	Panel Installation Direction	How to fix
Metal Furring Strip	Vertical	Horizontal	Clip (JE555)

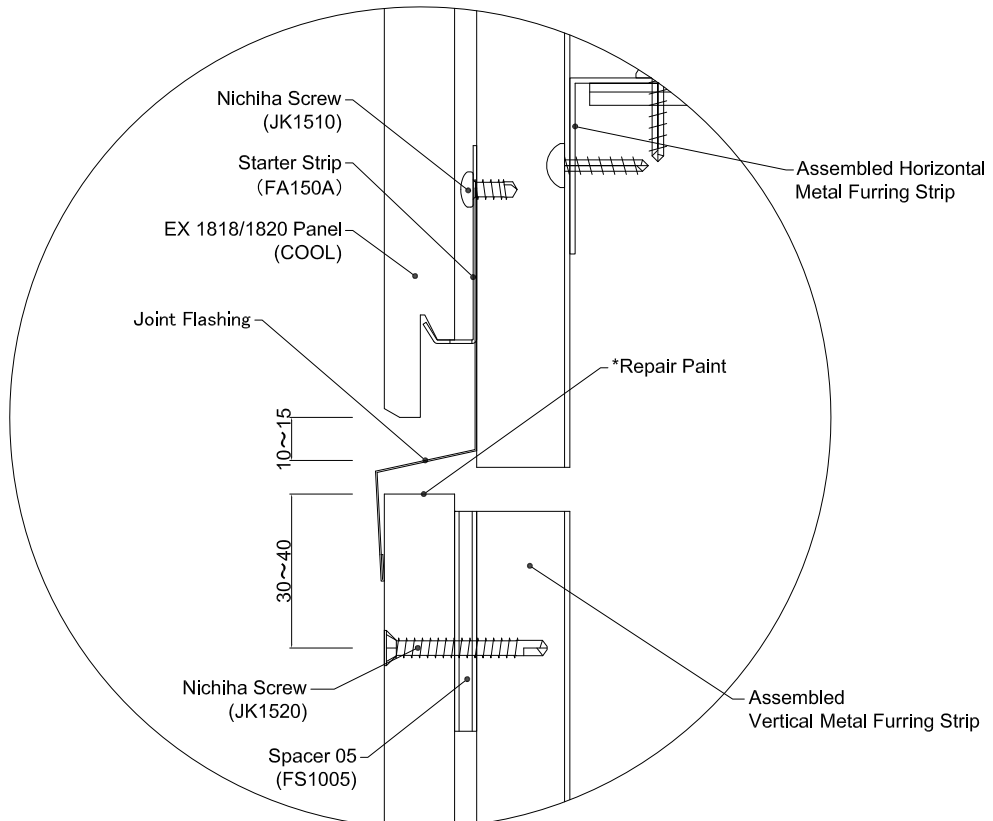
Horizontal Joint

Flashing



Note

Repair the cutting edge of Nichiha EX. Apply a sealer twice or repair coating after the sealer application with the repair solution.



Note

Repair the cutting edge of Nichiha EX. Apply a sealer twice or repair coating after the sealer application with the repair solution.

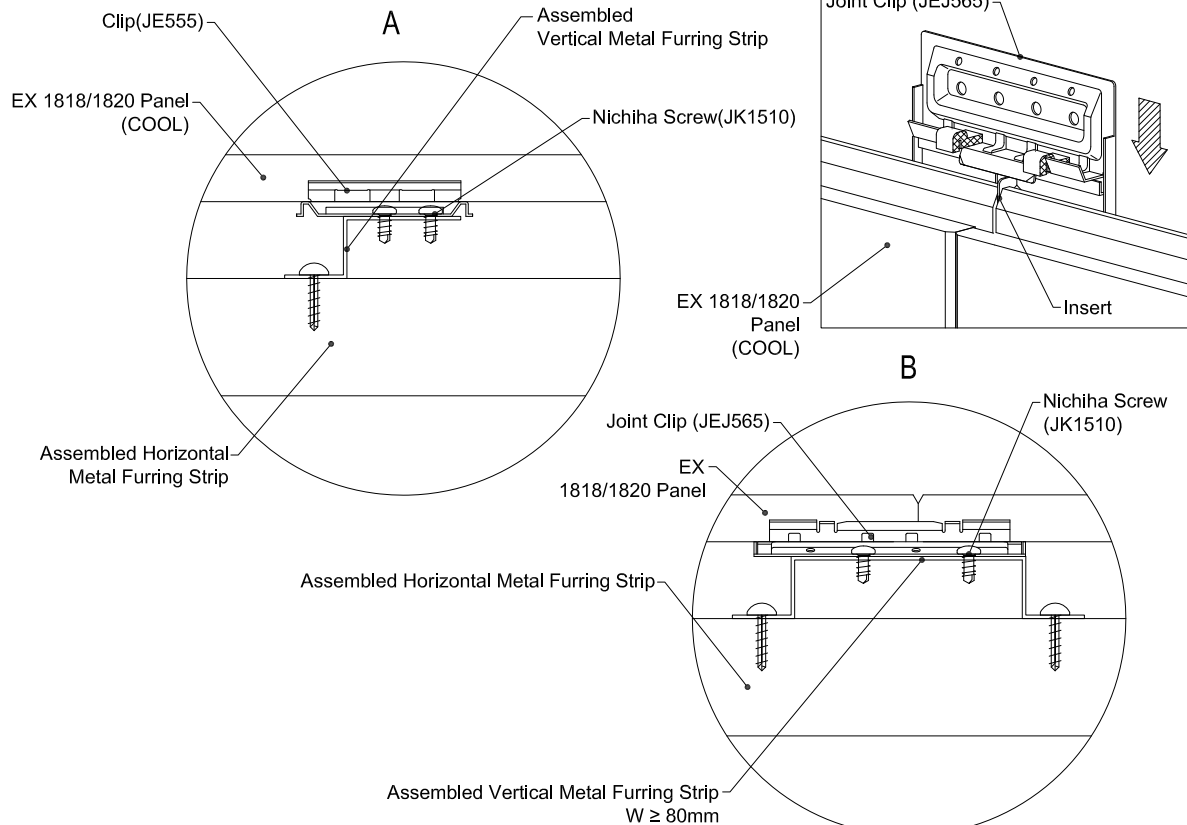
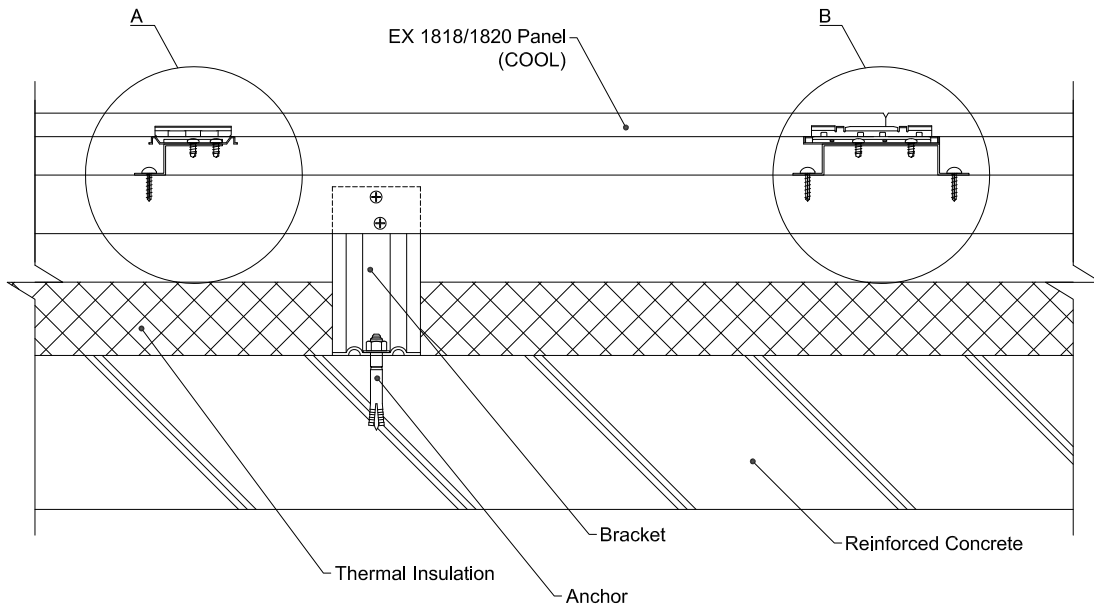
NICHIHA EX SERIES

(1818/1820 Panel - COOL)

Substrate	Furring Strip	Panel Installation Direction	How to fix
Metal Furring Strip	Vertical	Horizontal	Clip (JE555)

Vertical Joint

Shiplap Joint

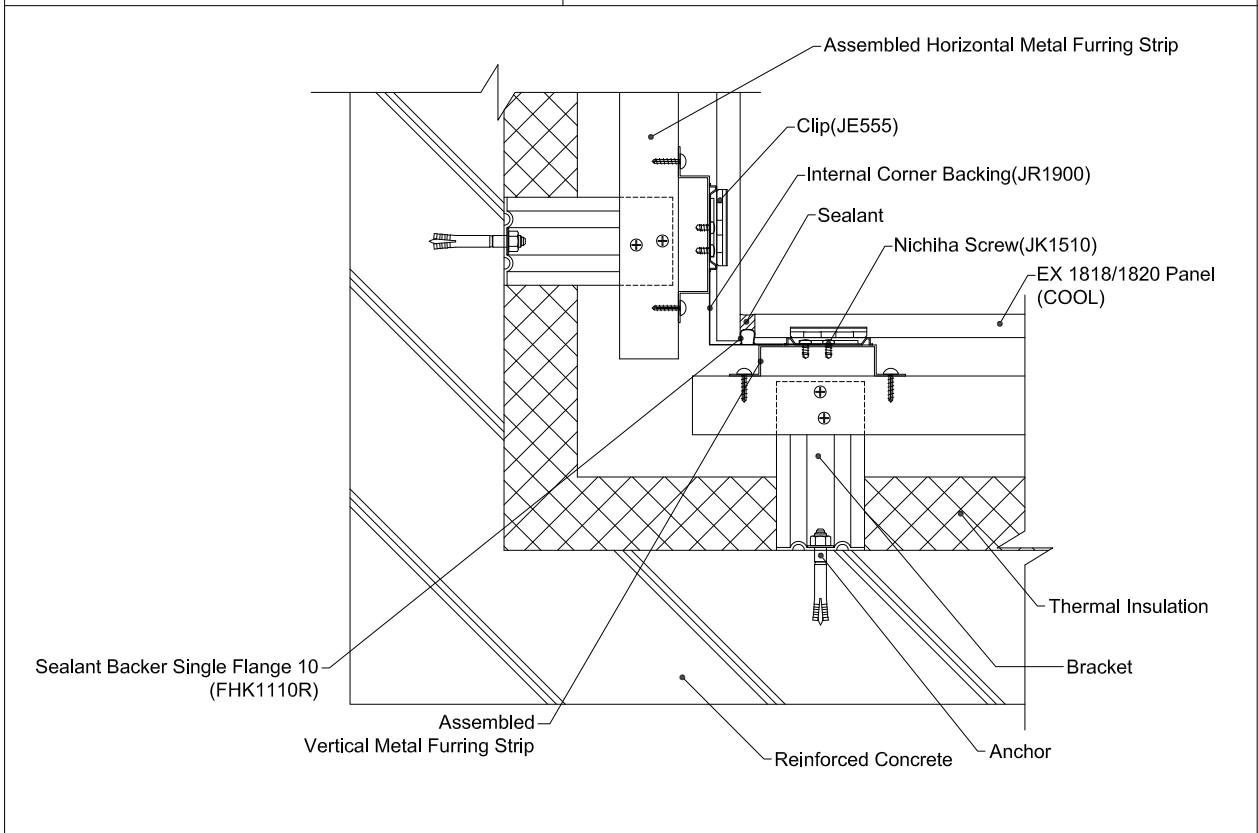


NICHIHA EX SERIES

(1818/1820 Panel - COOL)

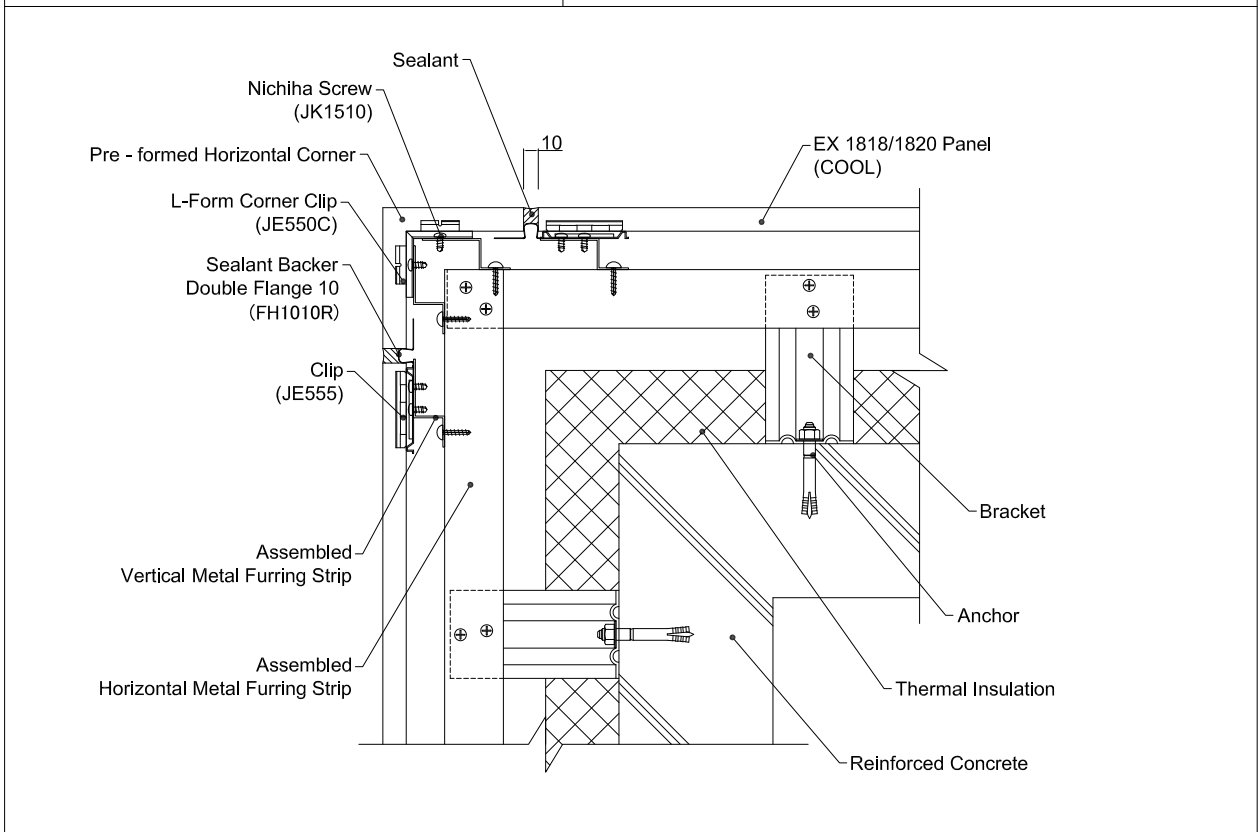
Substrate	Furring Strip	Panel Installation Direction	How to fix
Metal Furring Strip	Vertical	Horizontal	Clip (JE555)

Internal Corner



External Corner

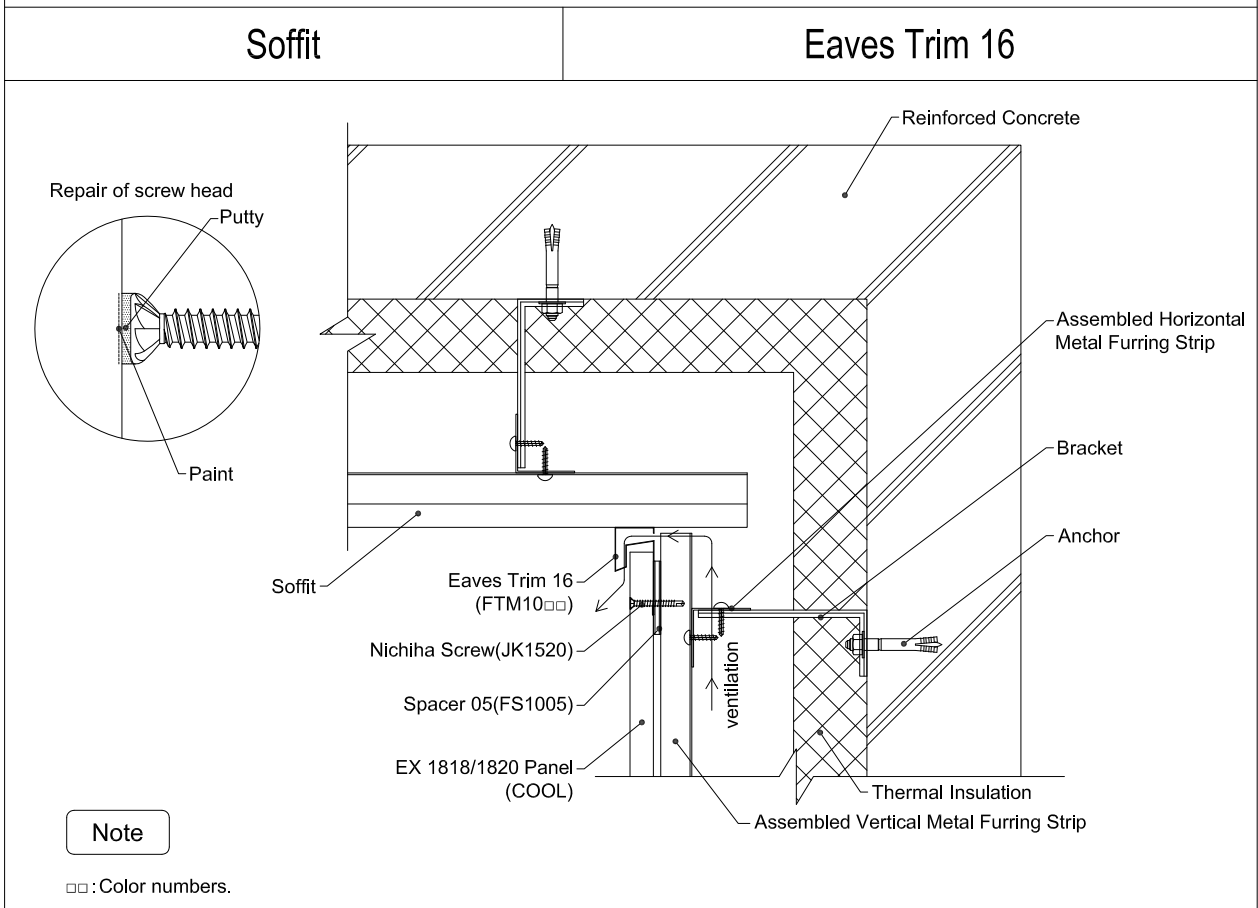
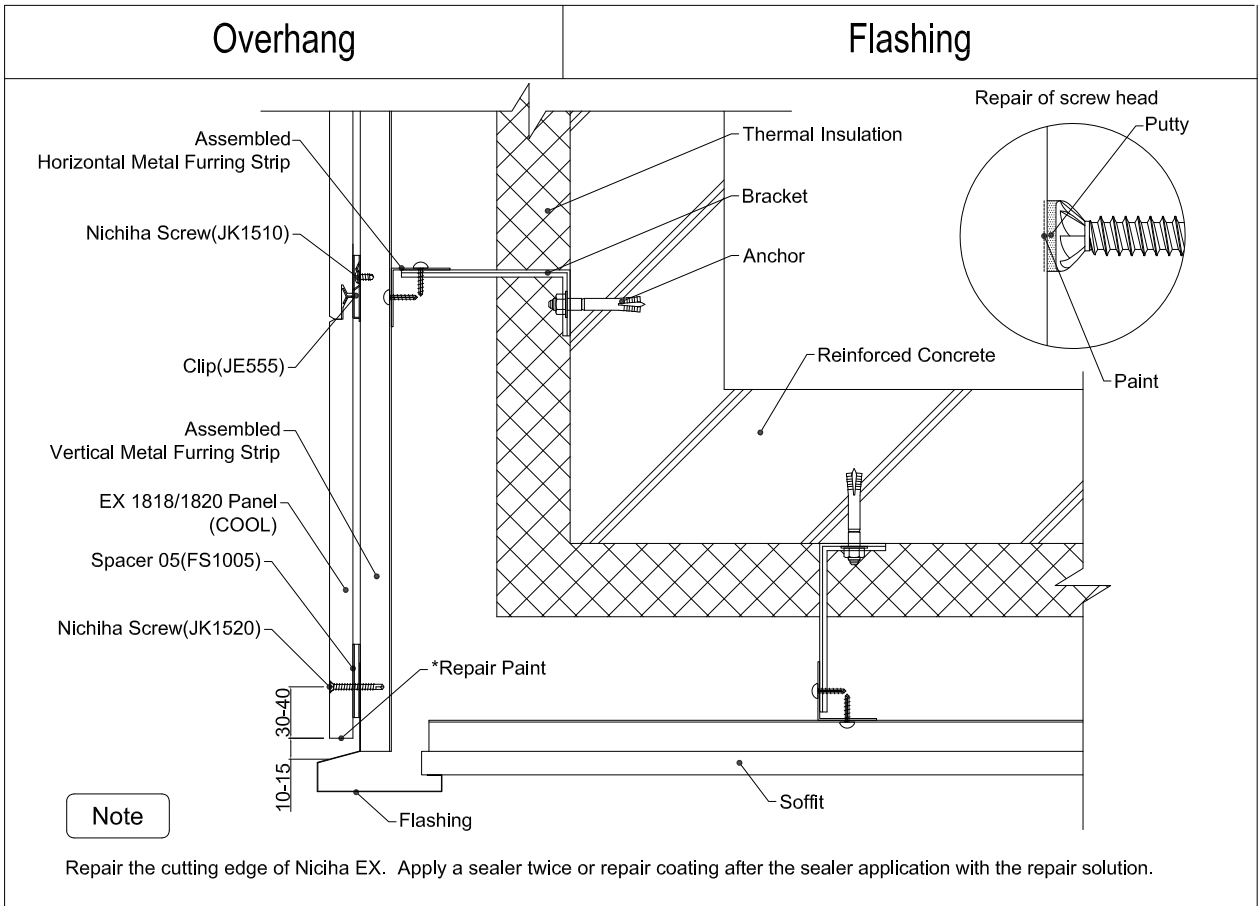
Pre - formed Corner



NICHIHA EX SERIES

(1818/1820 Panel - COOL)

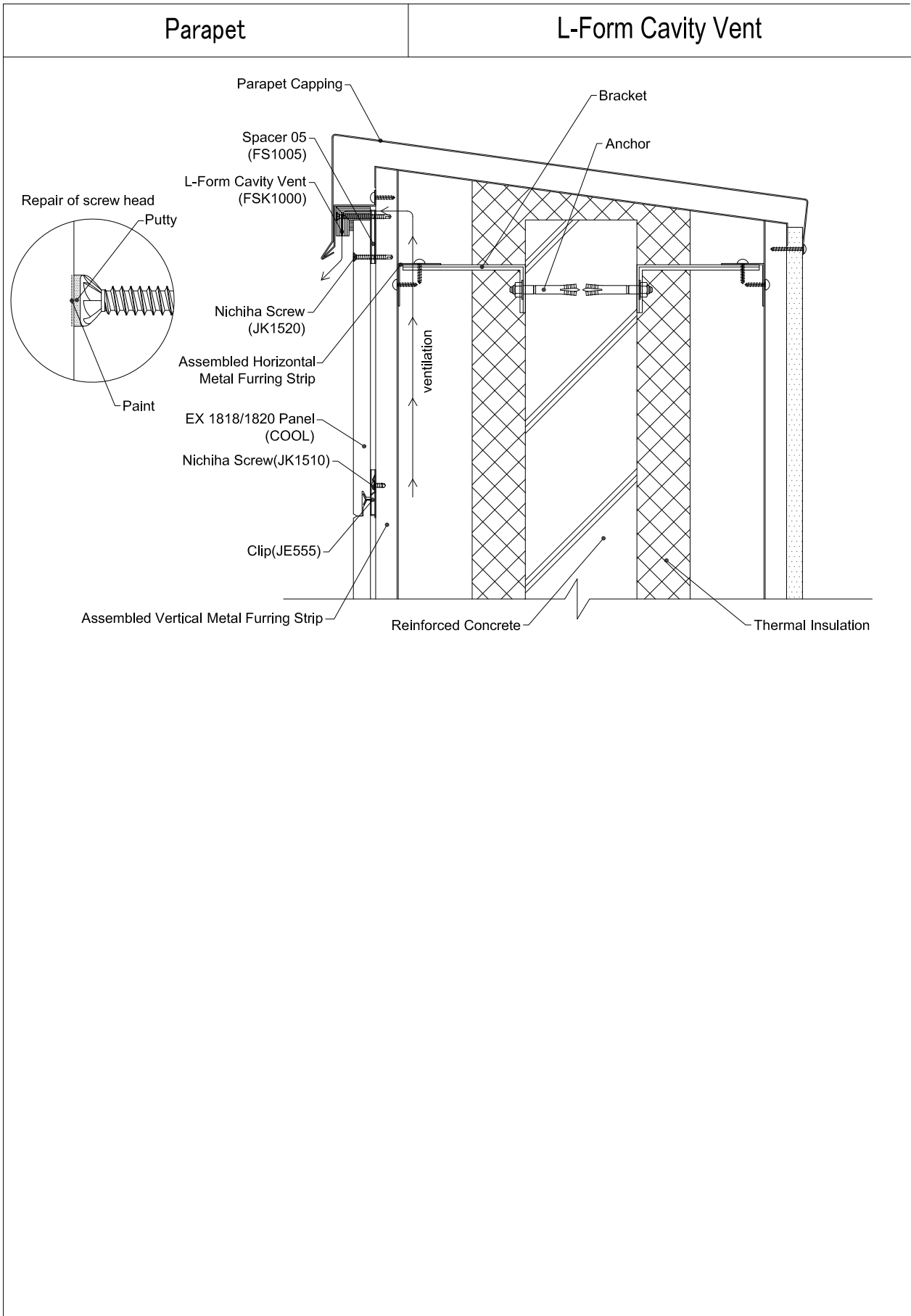
Substrate	Furring Strip	Panel Installation Direction	How to fix
Metal Furring Strip	Vertical	Horizontal	Clip (JE555)



NICHIHA EX SERIES

(1818/1820 Panel - COOL)

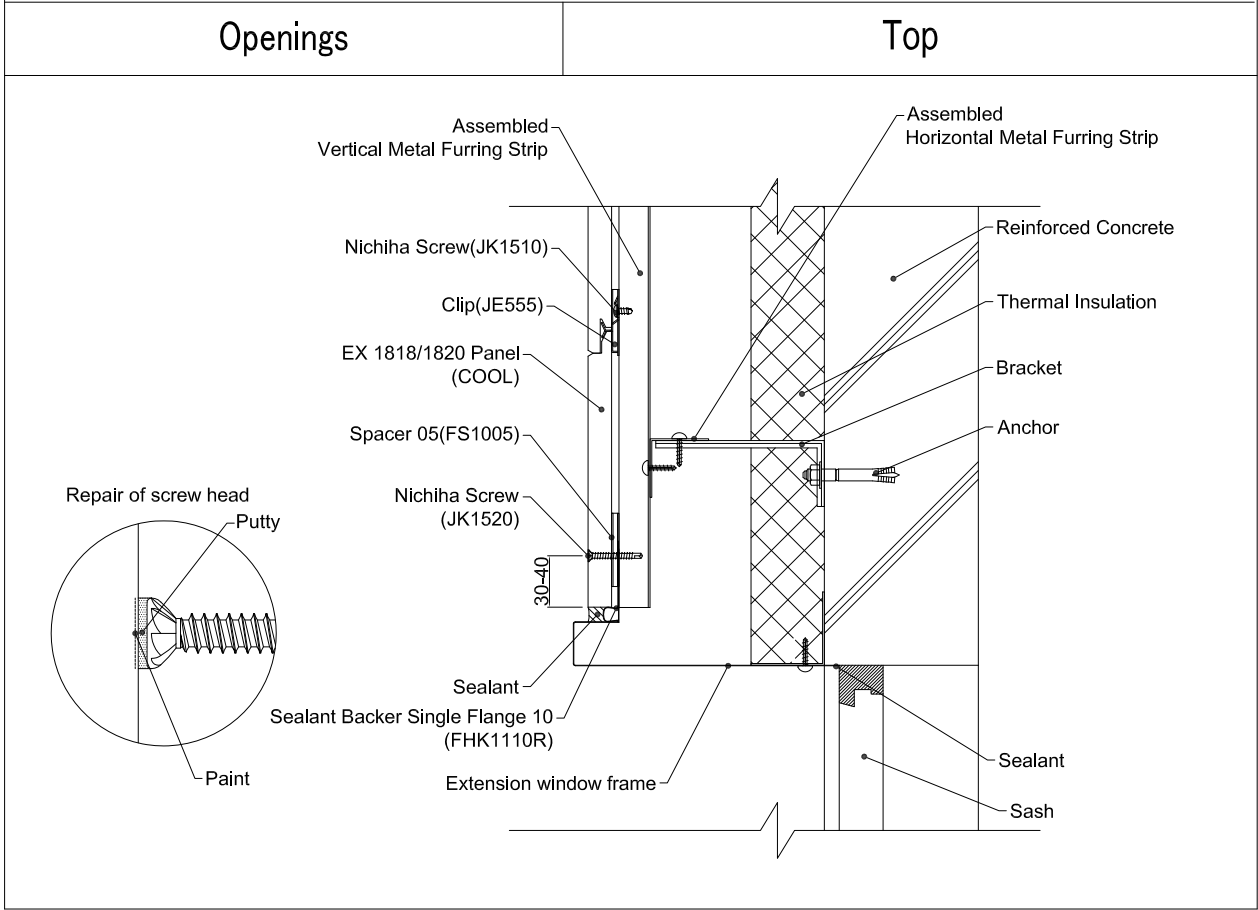
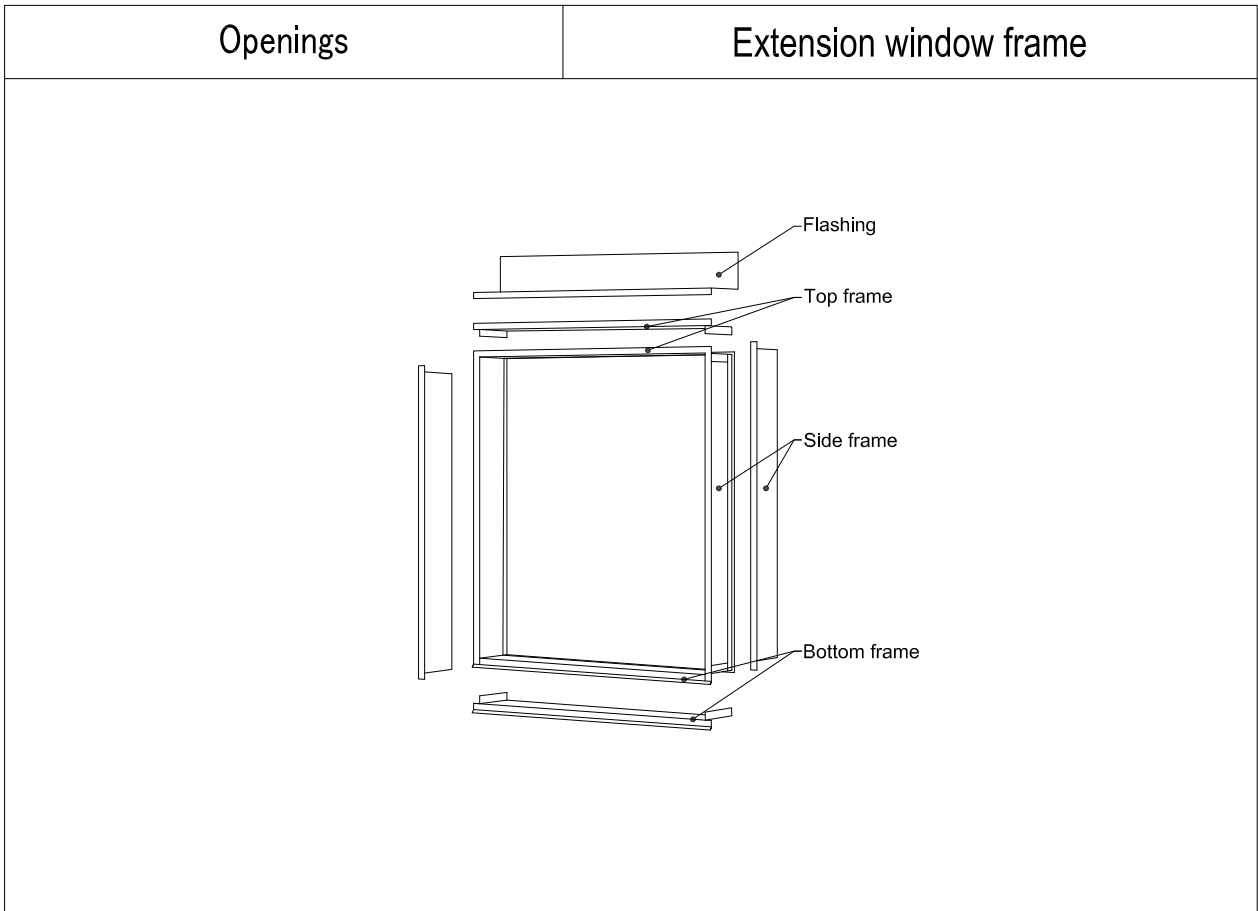
Substrate	Furring Strip	Panel Installation Direction	How to fix
Metal Furring Strip	Vertical	Horizontal	Clip (JE555)



NICHIHA EX SERIES

(1818/1820 Panel - COOL)

Substrate	Furring Strip	Panel Installation Direction	How to fix
Metal Furring Strip	Vertical	Horizontal	Clip (JE555)



NICHIHA EX SERIES

(1818/1820 Panel - COOL)

Substrate	Furring Strip	Panel Installation Direction	How to fix
Metal Furring Strip	Vertical	Horizontal	Clip (JE555)

